

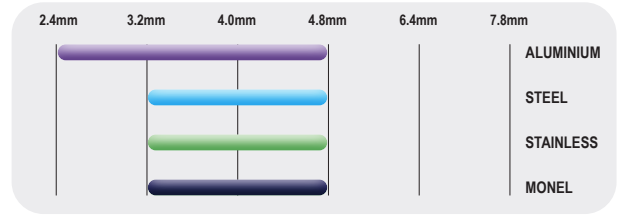
Gesipa® AccuBird® Classic

Rivet Setter | Industrial Cordless

Developed and produced in Germany since 1992, the **Gesipa® AccuBird®** has proven to be a robust cordless setting tool for the New Zealand market. Designed for installing rivets up to 4.80mm in all materials, the **AccuBird®** is ideal for on-site installation or production work.

**Configuration for installation of 7.80mm Gesipa® Bulb-Tite® Rivets also available*

Setting Capacity



Removable nose holder for quick and easy cleaning and maintenance

Suspension Loop for Spring Balance in an assembly line environment

Easy to access compartment for Nosepieces and Hex Key

Mandrel collecting system - gravity controlled collection of spent mandrels

Two battery kit with charger, supplied in a Plastic carry case

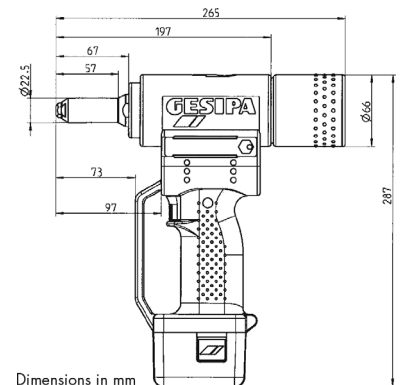
Contoured grip for flexible and ergonomic operation, ideal when in use for extensive periods



Skin and Single Battery kits also available



MADE IN GERMANY



Dimensions in mm

| Specifications | | Package Accessories |
|------------------------|----------------|---|
| Product Code: | GT-ACCUBIRD-C2 | 4 Nosepieces: 17/24, 17/27, 17/29 and 17/32 |
| Weight (with battery): | 2.00 kg | 2 Batteries: Li-Ion 14.4 V, 2.0 Ah |
| Operating Voltage: | 14.4 V DC | 1 Charger: Input Voltage 230 V Output Voltage 14.4 V DC |
| Capacity | 2.0 Ah | 1 Hex Wrench SW12 |
| Setting Force: | 10.0 kN | Operating manual |
| Stroke: | 20.0 mm | Lightweight Plastic Carry Case |